

RT10 STYX

- Installation
- Start-up
- Maintenance

SIUS AG

Im Langhag 1 | CH-8307 Effretikon | Switzerland
Telefon +41 52 354 60 60
www.sius.com | info@sius.com

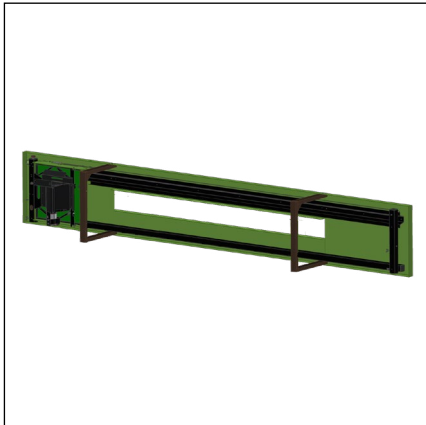
Inhaltsverzeichnis

| | |
|--|-----------|
| Requirements / conditions | 3 |
| Scope of delivery | 3 |
| Required for construction | 3 |
| Installation target | 4 |
| Dimensions | 6 |
| Cabling - Single Lane | 7 |
| Cabling - Multi Lane | 8 |
| Start-up of the range | 9 |
| Maintenance and function test | 11 |
| Articles | 15 |

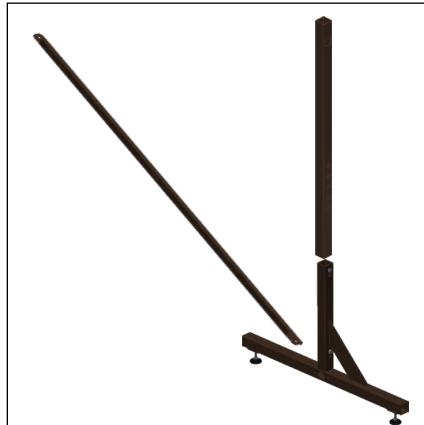
Requirements / conditions

The SIUS Running Target 10-STYX is only suitable for indoor use (not weatherproof).
The use of original SIUS products is strongly recommended.

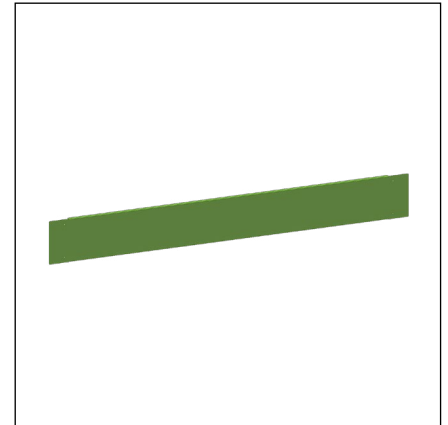
Scope of delivery



1 x Prellschutzrahmen mit Scheibe



2 x Fuss mit Zwischenstück und Strebe



1 x Rückwand



6 x DIN316 M6x16



4 x DIN931-1 M10x65



4 x DIN985 M10



24 x AMSLT05x12

Required for construction

At least two people should help to set up the target, and the following tools are recommended:

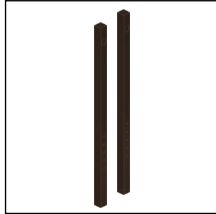
- Spirit level
- Open-ended wrench 17 mm
- Torx T25
- Meter

Installation target

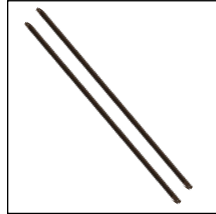
The following articles are needed:



2 x Fuss



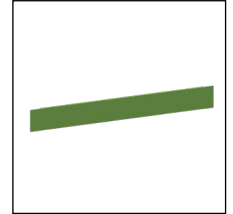
2 x Zwischenstück



2 x Strebe

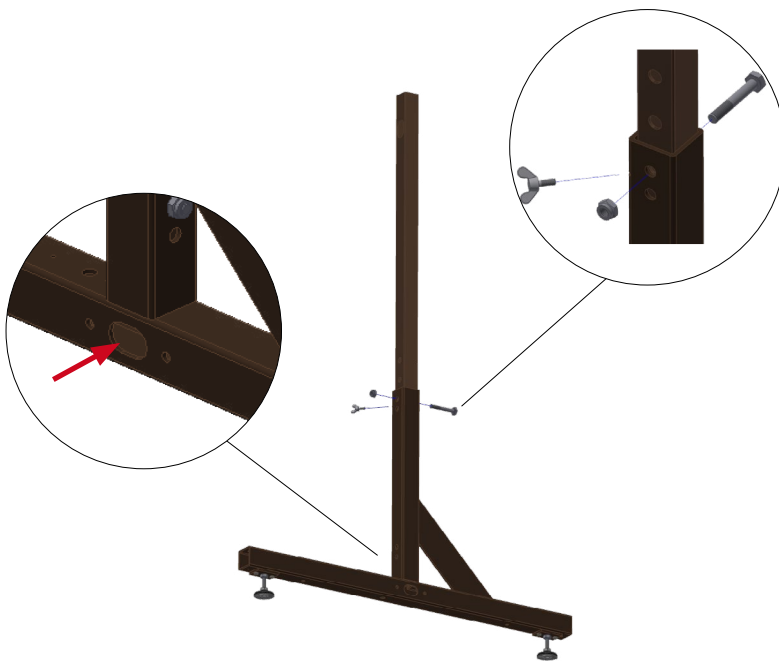


1 x Prellschutzrahmen
mit Scheibe



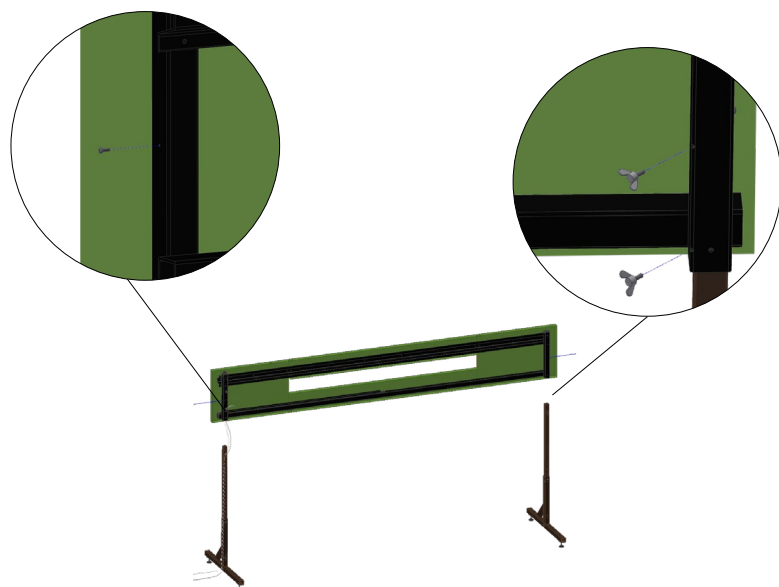
1 x Rückwand

Assembly feet



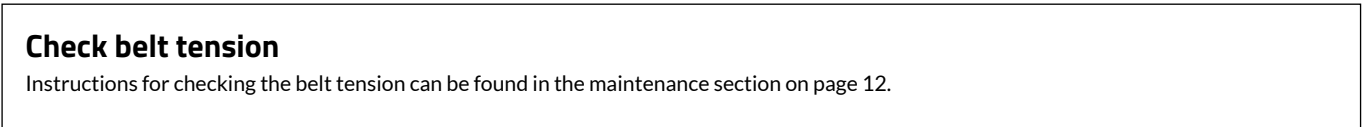
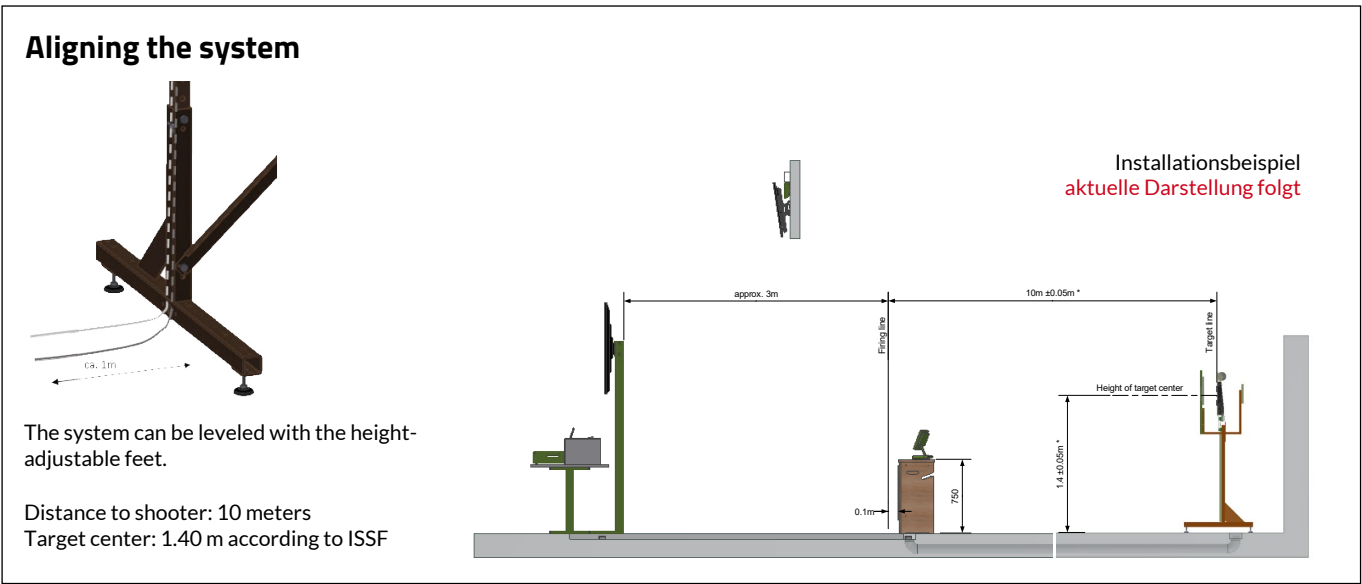
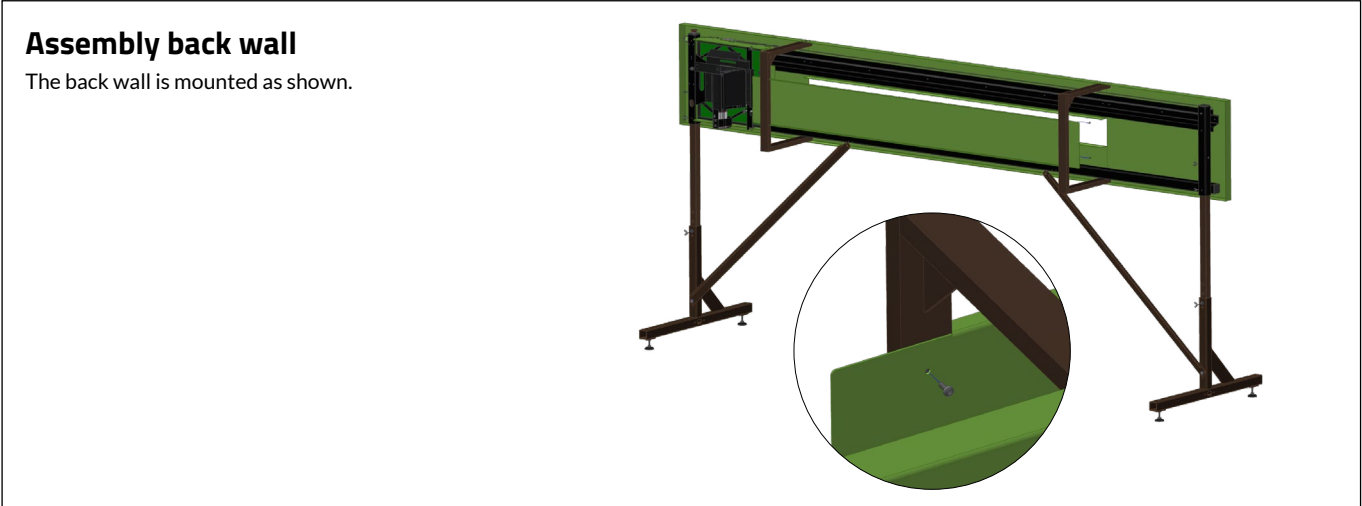
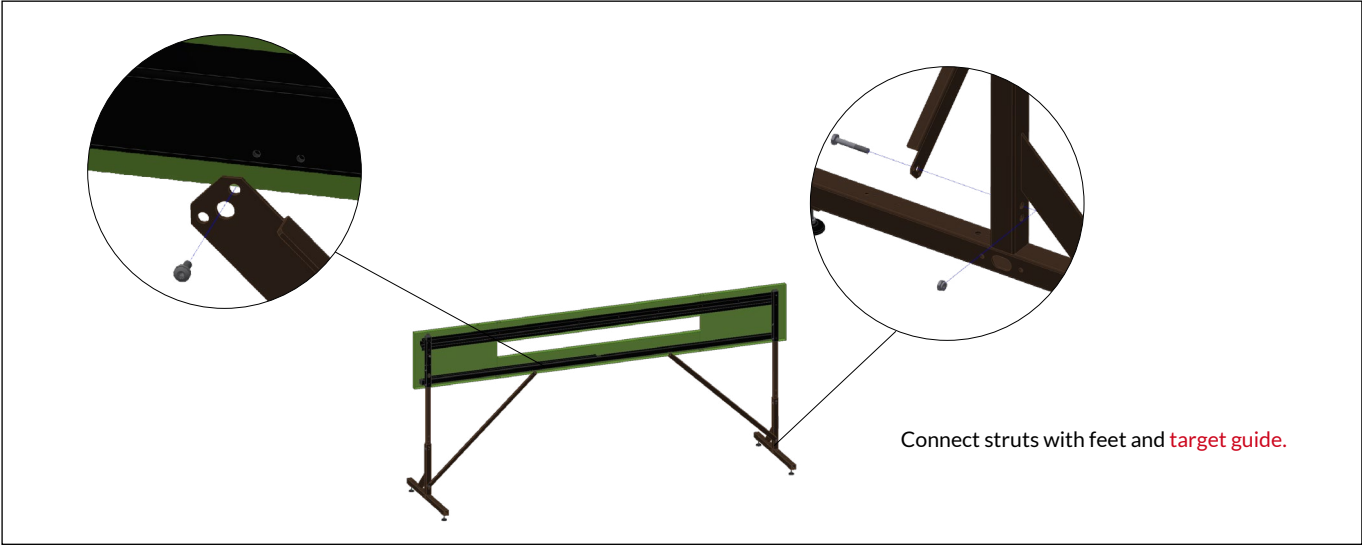
The foot is put together with the intermediate rod. The fourth hole corresponds to the international target height of 140 cm.

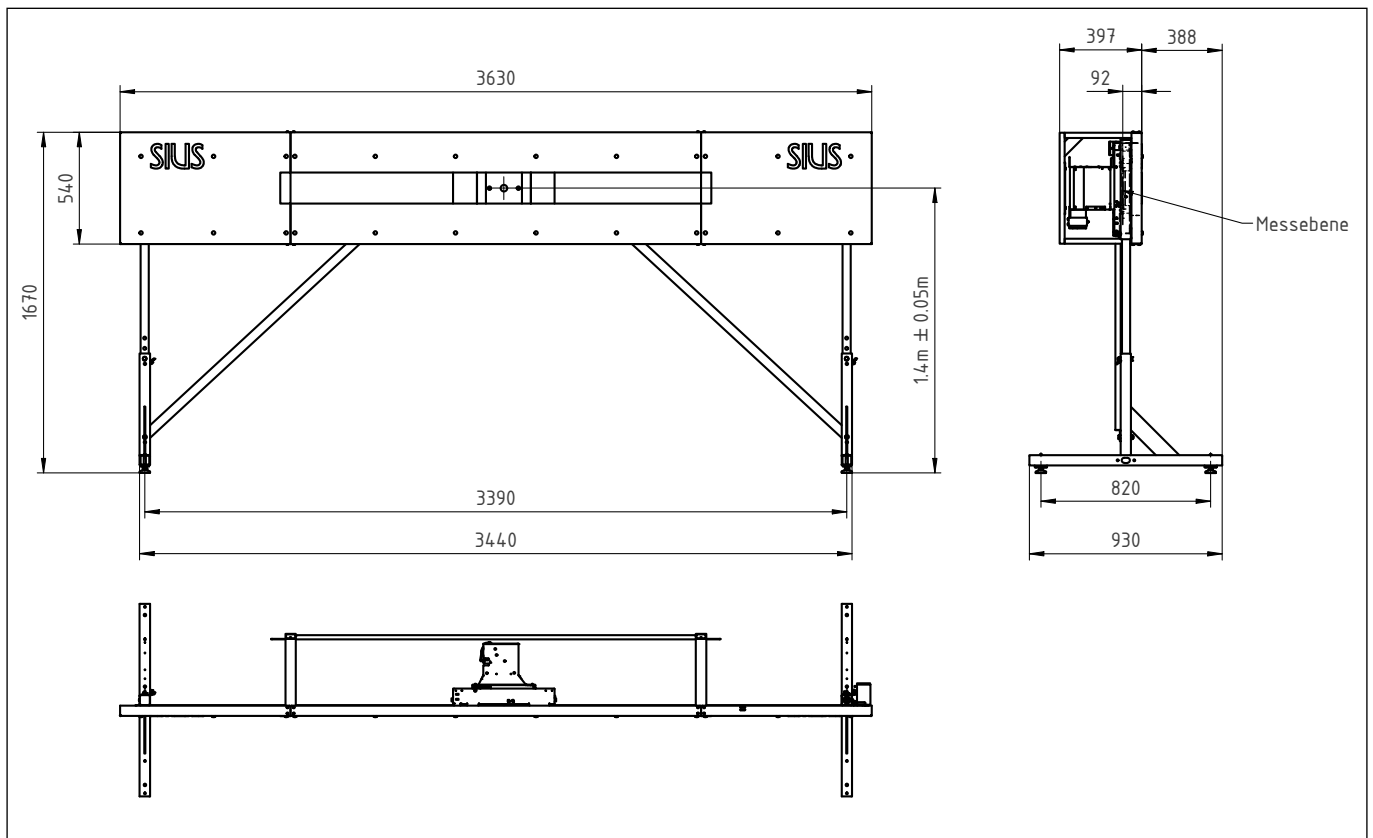
Before the screws are inserted through the profile, the two cables LON and STYX must be pulled into the right foot.



With the help of a colleague, the **target guide** is placed on both legs and screwed on as shown in the pictures.

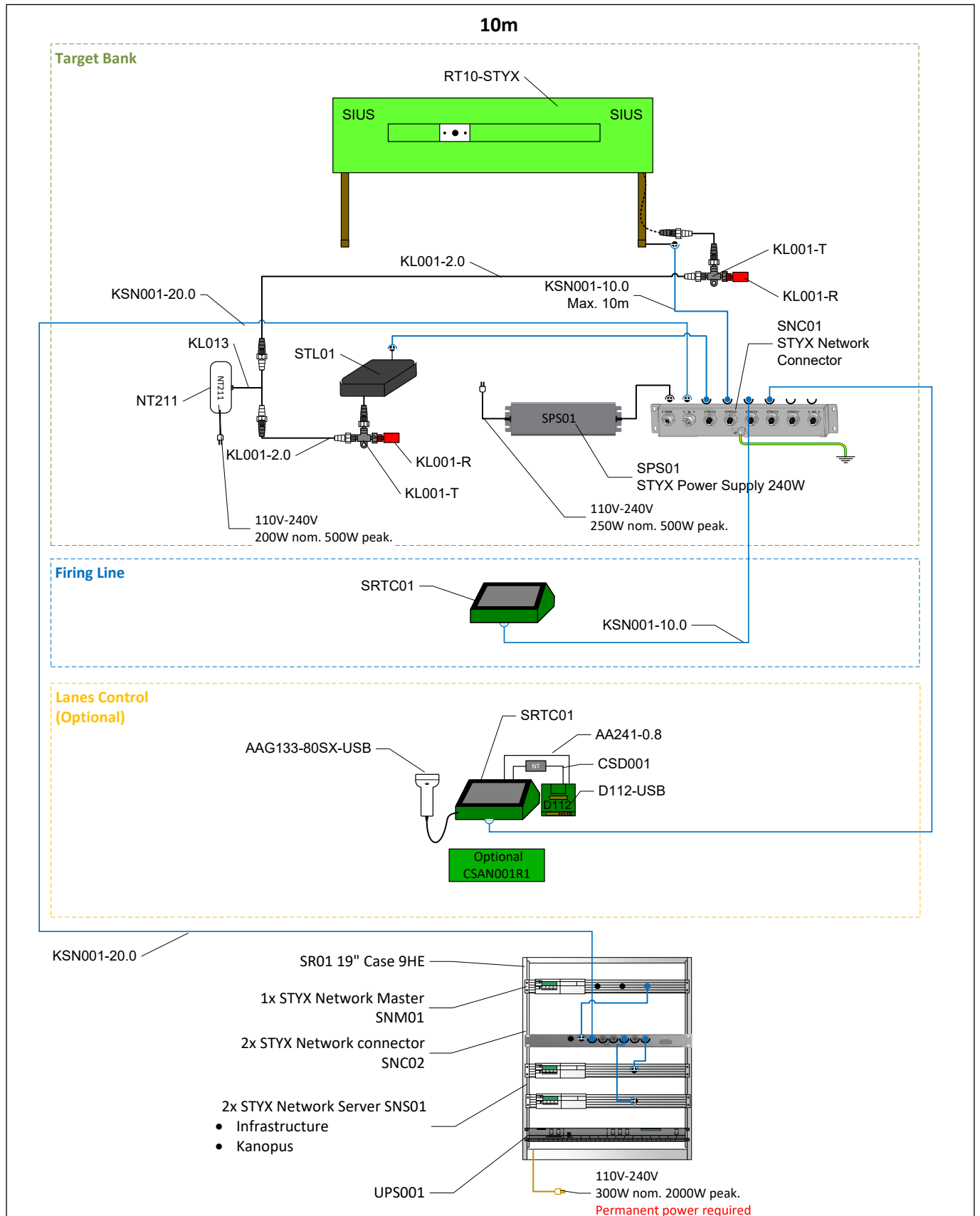
Inserting the cables is a bit tricky when the impact protection frame is placed on the stand.



Dimensions


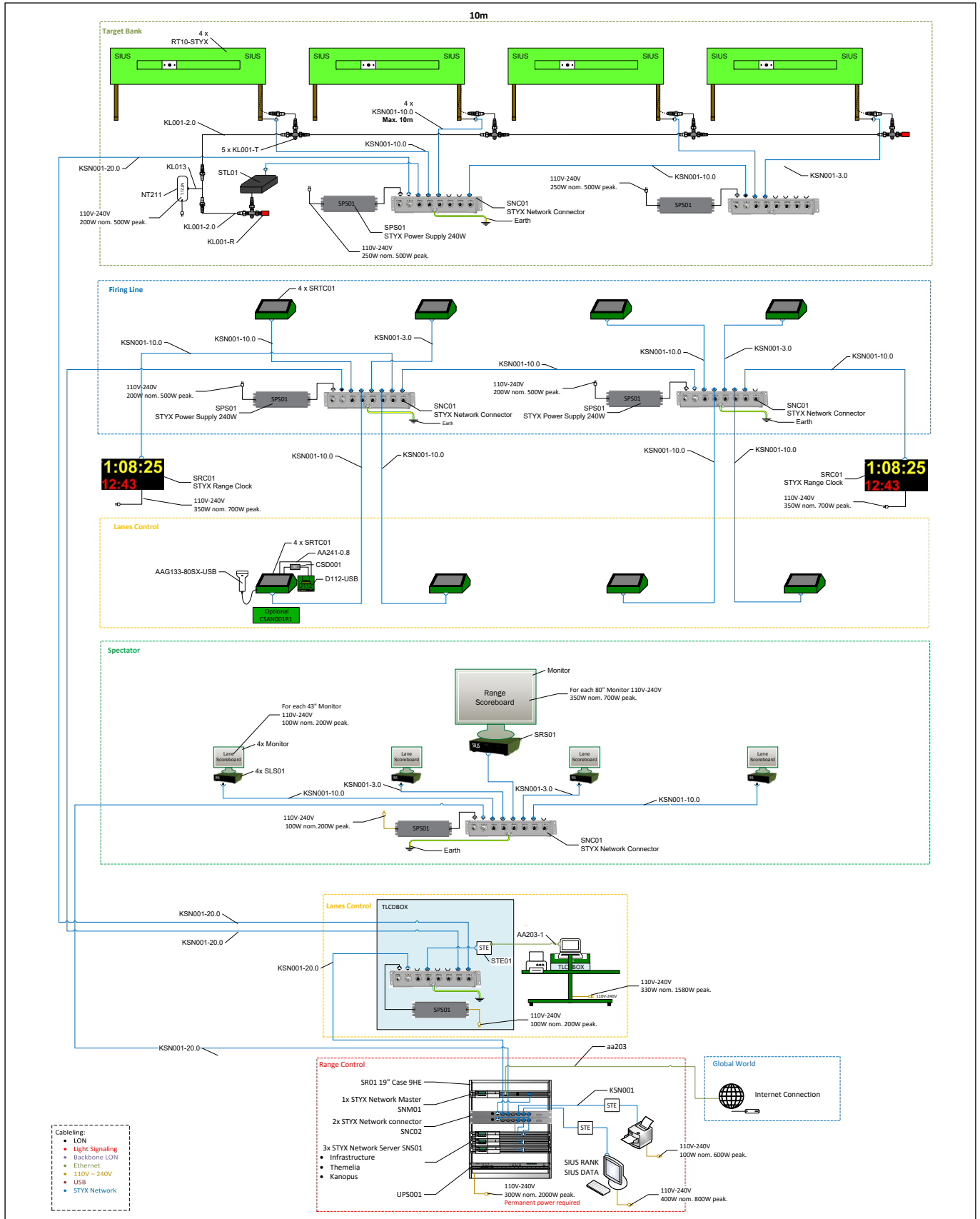
Cabling - Single Lane

A single lane is wired as shown in the following cable plan. Further details of the components and how the 19" rack is wired can be found in the STYX manual on our website.



Cabling - Multi Lane

A range with multiple lanes is wired as shown in the following cable plan. Further details of the components and how the 19" rack is wired can be found in the STYX manual on our website.



Start-up of the range



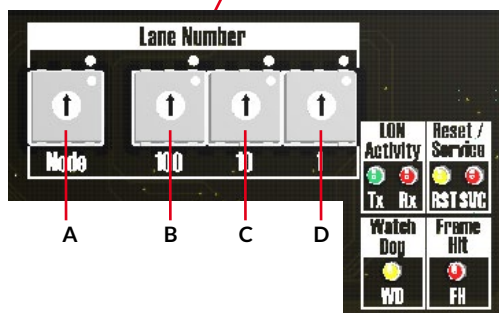
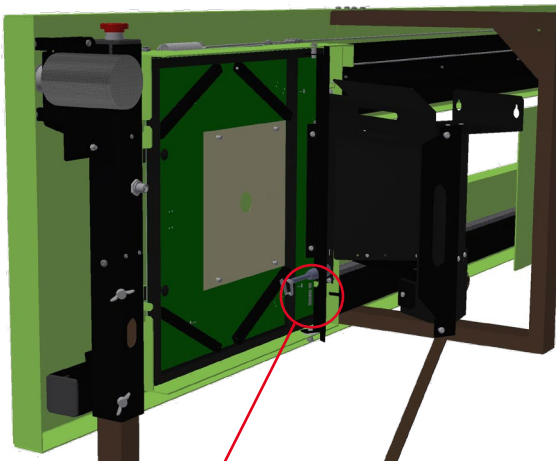
The manual is based on the newest software versions. The instructions may differ for older versions.

1 Check in advance

- Are all devices connected according to the instructions?
- Are there any visible damages on devices or cables?
- Corresponds the voltage of the power supplies set to the voltage of the electric power supply?
- Emergency stop button pressed -> lamp off

2 Set the lane no. on the target

The lane no. is set by turning the arrow on the number plate to the corresponding figure, using a screwdriver. Numbering is made from the left to the right.



A = Node no.
Leave the setting on 0.

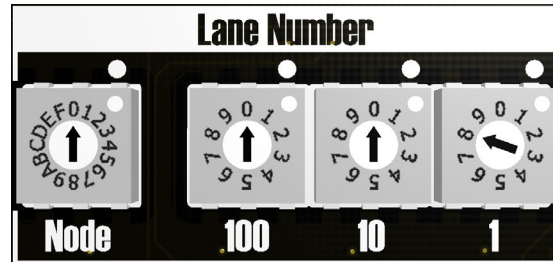
B = 100-no. setting
If more than 100 targets are connected, the according 100-no. can be chosen.
Otherwise leave the setting on 0.

C = 10-no. setting
If more than 10 targets are connected, the according 10-no. can be chosen.
Otherwise leave the setting on 0.

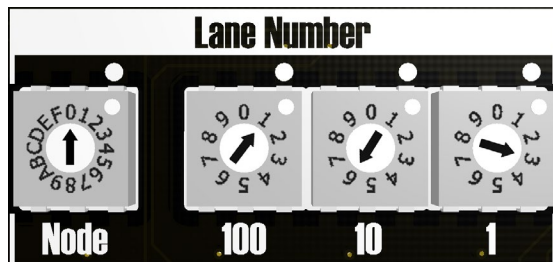
D = 1-no. setting
The according 1-no. is set.

Examples of setting the lane no. on the target

Setting Lane No. 8:



Setting Lane No. 163:



3 Insert target picture

Refer to the maintenance section

4 Check Cabling

Each installation includes a cabling plan (either standard or customized cabling plan). Before installation, make sure that the range is wired according to this plan.

Please refer to the plans.

5 Connecting to the electricity network

Connect all devices to the electricity network.

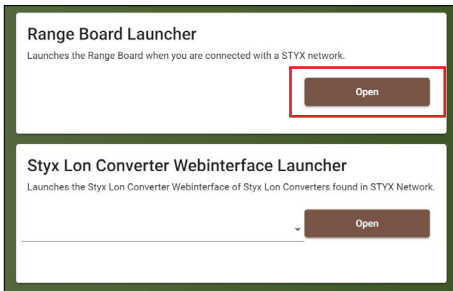
6 SIUS Cockpit

Is the software Sius Cockpit installed on a PC/Notebook in the STYX-network? Download under software.sius.com

Start-up of the range (continued)

7 Range Board Login

Start the Sius Cockpit on a PC/Notebook which is connected with the STYX network.



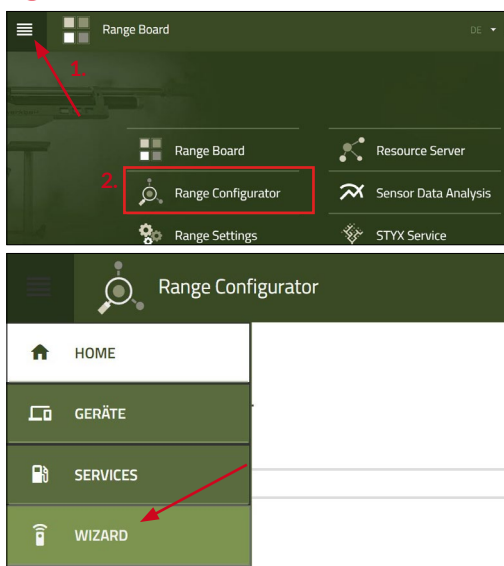
In the Software Sius Cockpit the Range Board can be opened in the Range Board Launcher. To do so, click on the "Open" button marked red in the left image and log in to the Range-board (access data of the range will be transferred during sale/installation).

If the "Open" button is grayed out, no connection can be established to the Range. In this case, make sure that the PC/notebook is connected to the STYX network and the laptop network is configured for DHCP

8 Range Details and Range Time

When the Range Board is started for the first time, the Range Details and Range Time should be configured.

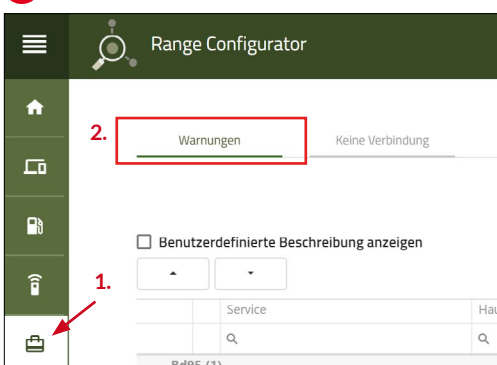
9 Range Configurator



Change to the Range Configurator.
(The language can be changed in the upper right)

Open the Menu Wizard and follow the instructions step by step. The lane number (lane) is assigned to each target during this process. It's important that the devices are wired in the correct order and according to the range plan.

10 Health Check



If the range has been successfully configured, you can check the Health Check of the Range Configurator to see if there are still any problems. In a healthy system no service warnings should be displayed.



Emergency Stop Button

Before testing the range, the emergency stop button must be released.

Maintenance and function test

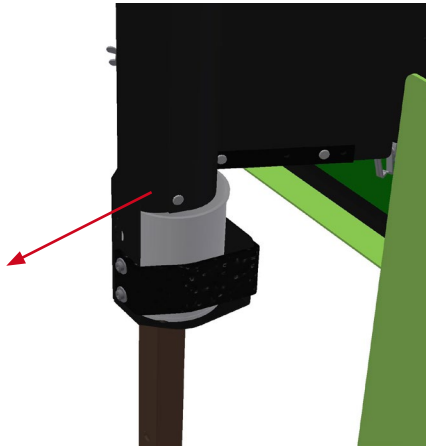
IMPORTANT: Maintenance work is only done when the emergency stop button is pressed.

1 Cleaning

- Remove all dust and dirt with a vacuum cleaner
- Clean the detection system (transmitter and receiver) with a soft damp cloth (do not use any cleaning agent)

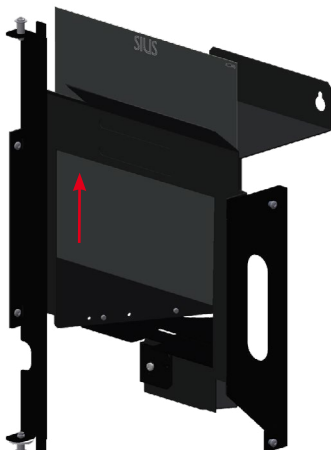
2 To empty the bullet trap

Emptying of the ball trap at 10 m target.
The collecting container is fixed with an elastic band so that it does not fall out of the holder when the target is moved.
After emptying, the lead is disposed of properly.



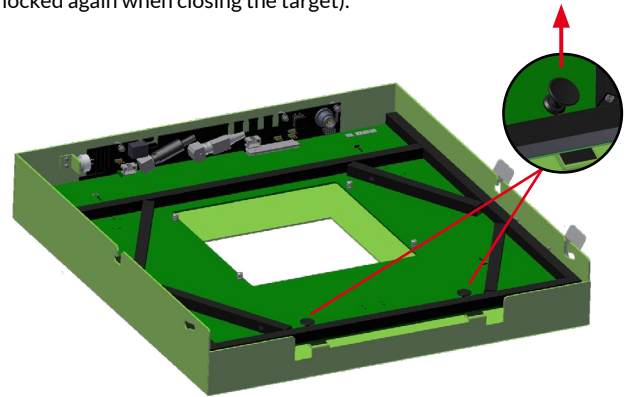
3 Replacement of Backing Target (Artikel AZF046)

After pressing the emergency stop button, the target can be opened.
The backing target is removed and a new backing target is inserted.

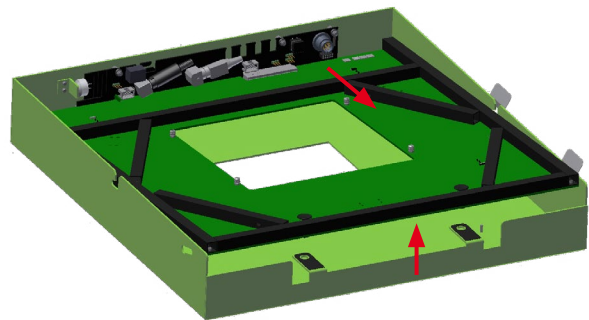


4 Removing of the Printed Circuit Board (Print)

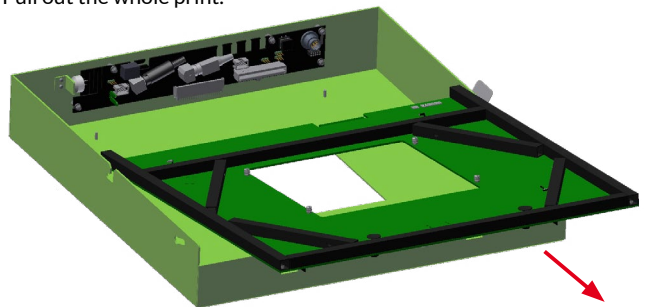
Pull out the mechanical interlock buttons of the print (must be locked again when closing the target).



Unclip by raising and pulling.



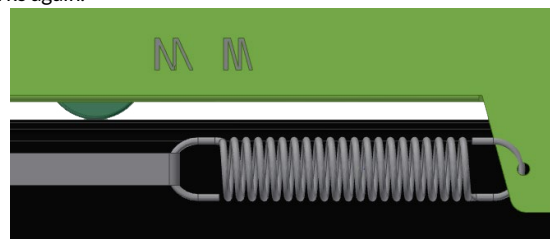
Pull out the whole print.



5 Check Belt tension

Is the end of the spring between the marks?

The belt is retightened if necessary. To do this, the clamping plate must be loosened slightly until the end of the spring is between the marks again.

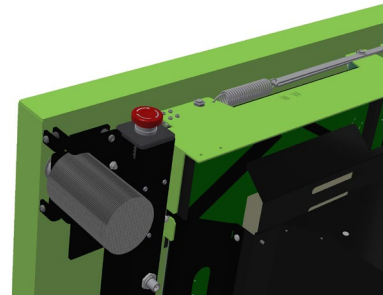


Maintenance and function test (continued)

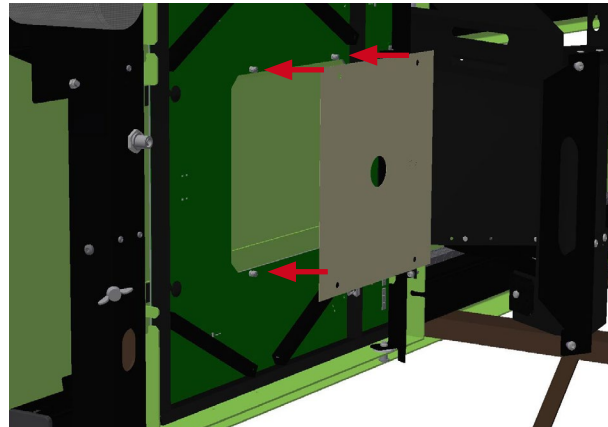
6 Replacing a worn out target front mask

The target front mask should be replaced if its circular shape is not visible anymore or if it is in such a bad condition that the optic of the target is affected. From a technical perspective this has no influence on the overall function of the target.

The target position is on the far right in shooting direction. Before the target is handled, the emergency stop button must be pressed. When the red lamp is off, the replacement of the target picture can be started.



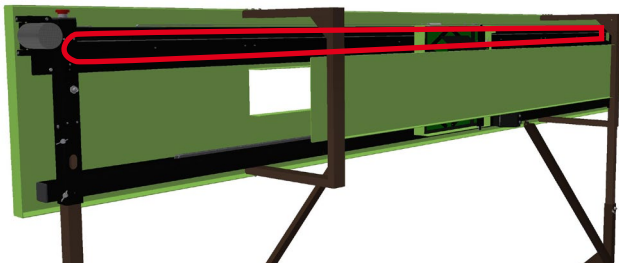
The bullet trap is opened. If a damaged target is mounted, it will be removed. The new target is pressed against the knobs provided for this purpose.



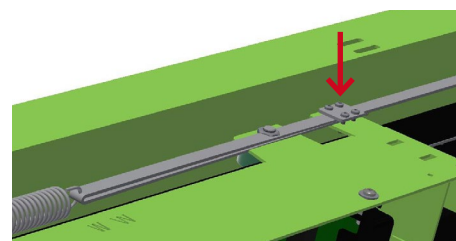
The bullet trap is closed again. The emergency stop button is pressed again. If the red lamp lights up, the Runnig Target is operational again and no more manual manipulations are performed.

7 Check belt tension

Press the emergency stop button, if the red lamp is off, you can start checking the belt tension. Is the belt running well? The belt runs over two rollers on the left and right end of the bumper frame.

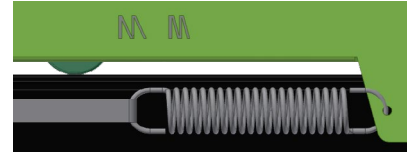


The four screws of the fixing plate are loosened slightly so that the spring is stretched.



If the position of the spring end is no longer between the marks, the belt must be retensioned.

To do this, loosen the screws of the fixing plate more.

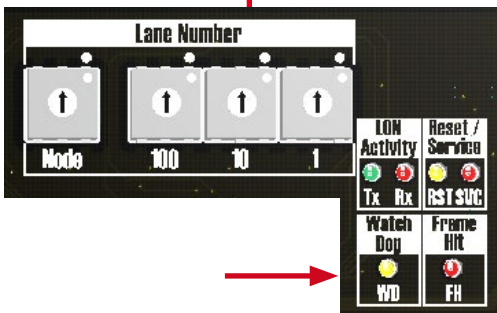
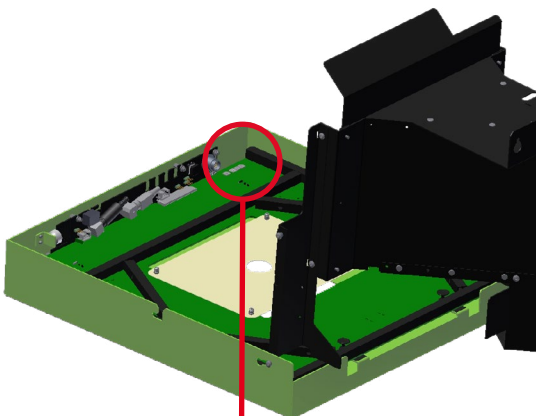


Now pull the belt until the spring ends again between the markings. If the position is correct, the clamping plate is screwed tight again.

After pressing the emergency stop button (red light is on) the target is ready for use again.

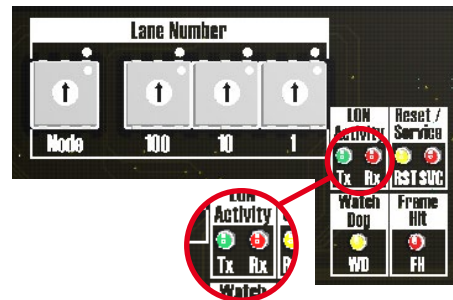
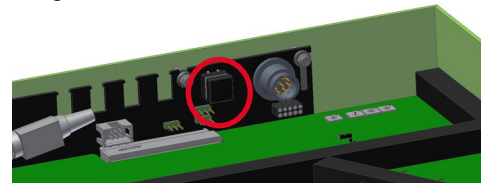
8 Function check

8.1 Is the operating lamp WD (= Watch Dog) blinking?
If not > check power supply and cables.



8.2 Communication control

- press service-pin button
- the green TX-lamp should blink
- at the same time the red RX-lamp should blink on the neighbour target



8.3 Control of detection system

Hold the finger shortly in the detection system and check if all three transmitters are blinking.

If not > check for dirt and clean



9 Software update

The software for the target LS10 can be updated with a PC (SNI is required) and installed software SIUS Loader.
For the other components SIUS Cockpit is available.

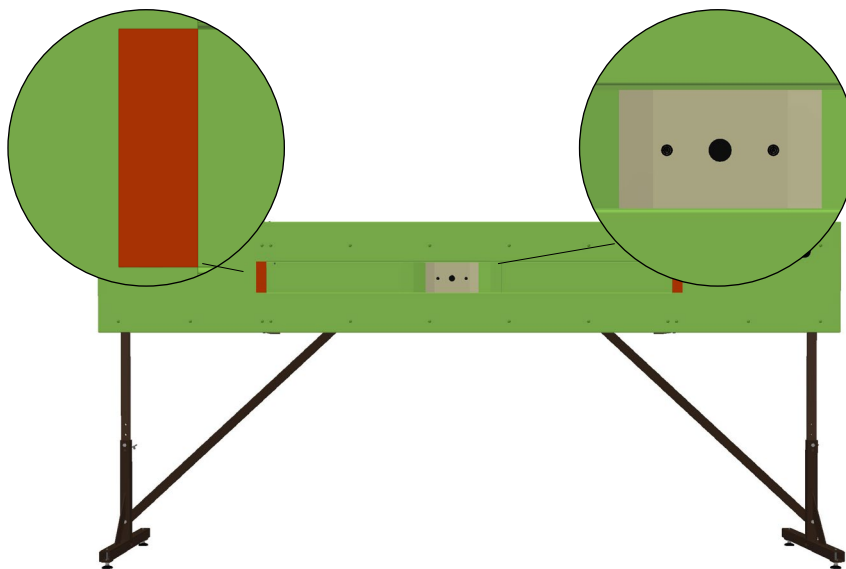
TIP
After each manipulation on the target / system, restart the system!

Maintenance and function test (continued)

10 Change of red and beige markers

The maintenance mode is activated on the control unit, the target stops in the middle of the system.
The emergency stop button is pressed. When the red lamp is off, the beige markings can be removed and replaced.

After replacing the markings, the emergency stop button is pressed again.
The red lamp lights up again and the target is ready for use again.



Before replacing the red markings, the emergency stop button is pressed and the lamp is turned off.
The new markings can be applied. Afterwards the emergency stop button must be pressed again.
When the red lamp lights up, the target is ready for use again.

Articles

| Pos. | Article No | pcs. | Description |
|---------------------------------|-----------------|------|--|
| Target Bank | | | |
| | RT10-STYX | 1 | Running target 10 meters |
| | STL01 | | STYX to LON Converter |
| | SNC01 | | STYX Network Connector |
| | SPS01 | | STYX Power Supply 240W |
| Firing Line | | | |
| | SRTC01 | 1 | Control unit Running Target 10m, 10.4" monitor |
| Lanes Control (Optional) | | | |
| | SRTC01 | 1 | Control unit Running Target 10m, 10.4" monitor |
| | AAG133-80SX-USB | 1 | Barcode scanner USB with support |
| | D112-USB | | Thermal printer |
| | CSAN001 | | Mounting plate for control table (optional) |
| Infrastructure | | | |
| | SNM01 | 1 | STYX Network Master |
| | SNC02 | 2 | STYX Network Connector |
| | SNS01 | 2 | STYX Network Server (Infrastructure, Kanopus) |
| | UPS001 | 1 | UPS 230V for Rack 19" |
| Cabling | | | |
| | KSN001-20.0 | 1 | Cable STYX, 20.0m |
| | KSN001-10.0 | 2 | Cable STYX, 10.0m |
| | KL001-2.0 | | Calbe LTW, 2.0m |
| | KL001-R | 2 | Terminating resistor LTW |
| | KL001-T | 2 | T-adapter LTW |
| | KL013 | | Cable Y to power supply NT211, 1.0m |
| | Reference | | Country specific power cable/device plug > AA1** |

Accessories and spare parts

| Pos. | Article No | Description |
|------|------------|---|
| | KF20 | Pellet trap for RT10 |
| | SRTA025 | Beige mark for the target |
| | SRTA028 | red mark |
| | AZF062/10 | Front mask ISSF running target 10m (STYX), paper (set of 10 pcs.) |
| | AZF046 | Backing Target |

SIUS AG

Im Langhag 1 | CH-8307 Effretikon | Switzerland
Telefon +41 52 354 60 60
www.sius.com | info@sius.com