



S310

**Installation overview
and components**

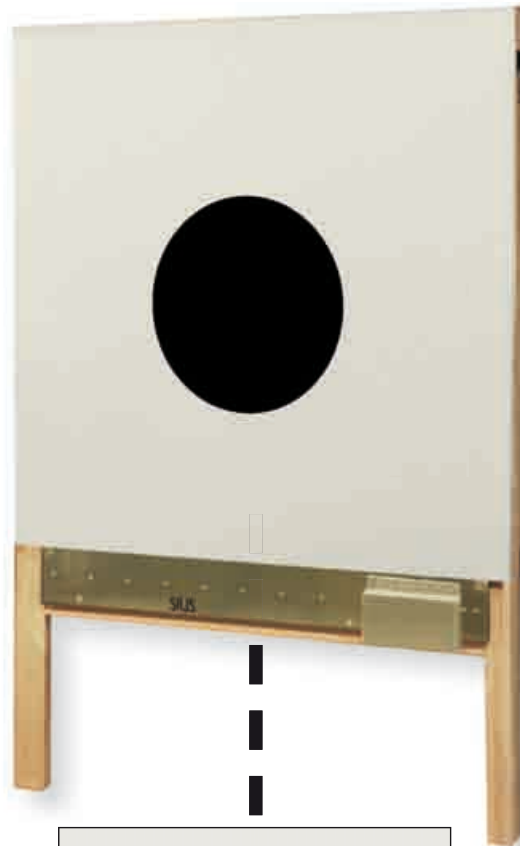
**Worldwide only 300m target
with ISSF approval phase 1, 2 and 3**

**Basic configuration of the target
for big bore rifles
(ISSF 300m)**

SIUS AG

Im Langhag 1 | CH-8307 Effretikon | Switzerland
Phone +41 52 354 60 60
www.sius.com | info@sius.com





Standard configuration

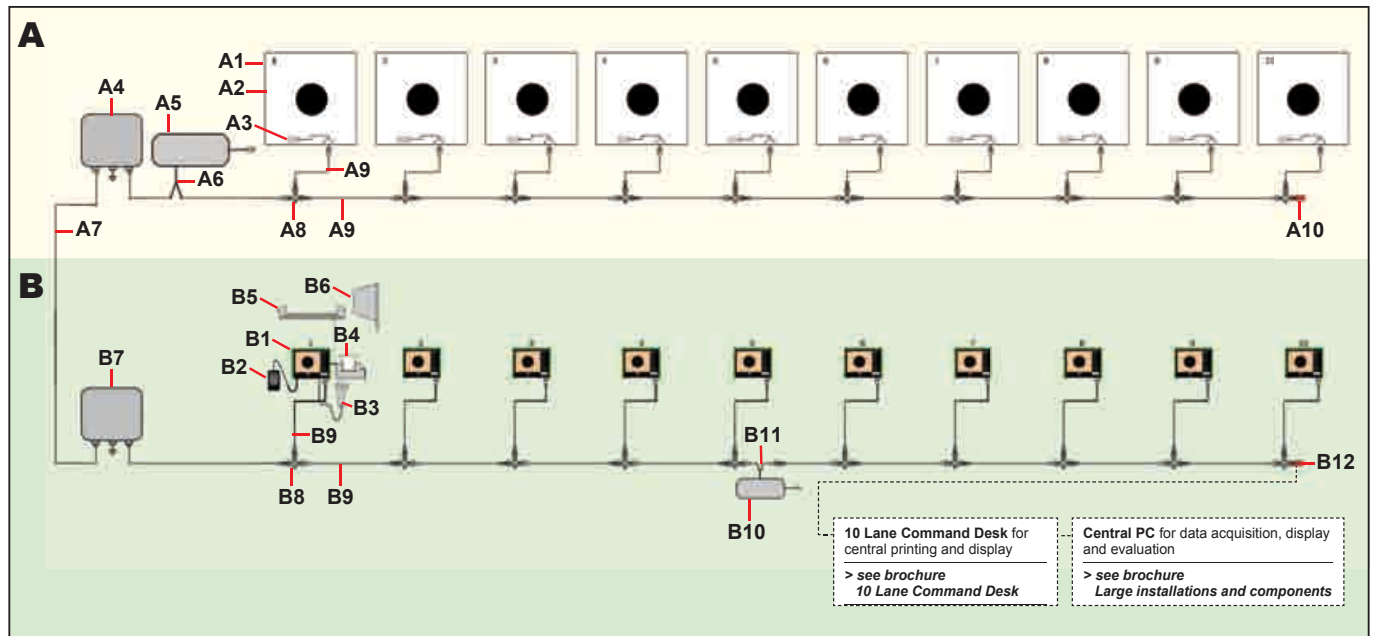
Target S310 with basic equipment M95.



Big bore rifle installation 300m

Installation overview S310

The installation is divided into 2 article groups: article group target line (A) and article group firing line (B). Cables and power supply (B) is designed for 10 lines at the most. In addition, power supply cables are required (connection cable: device to country specific plug).



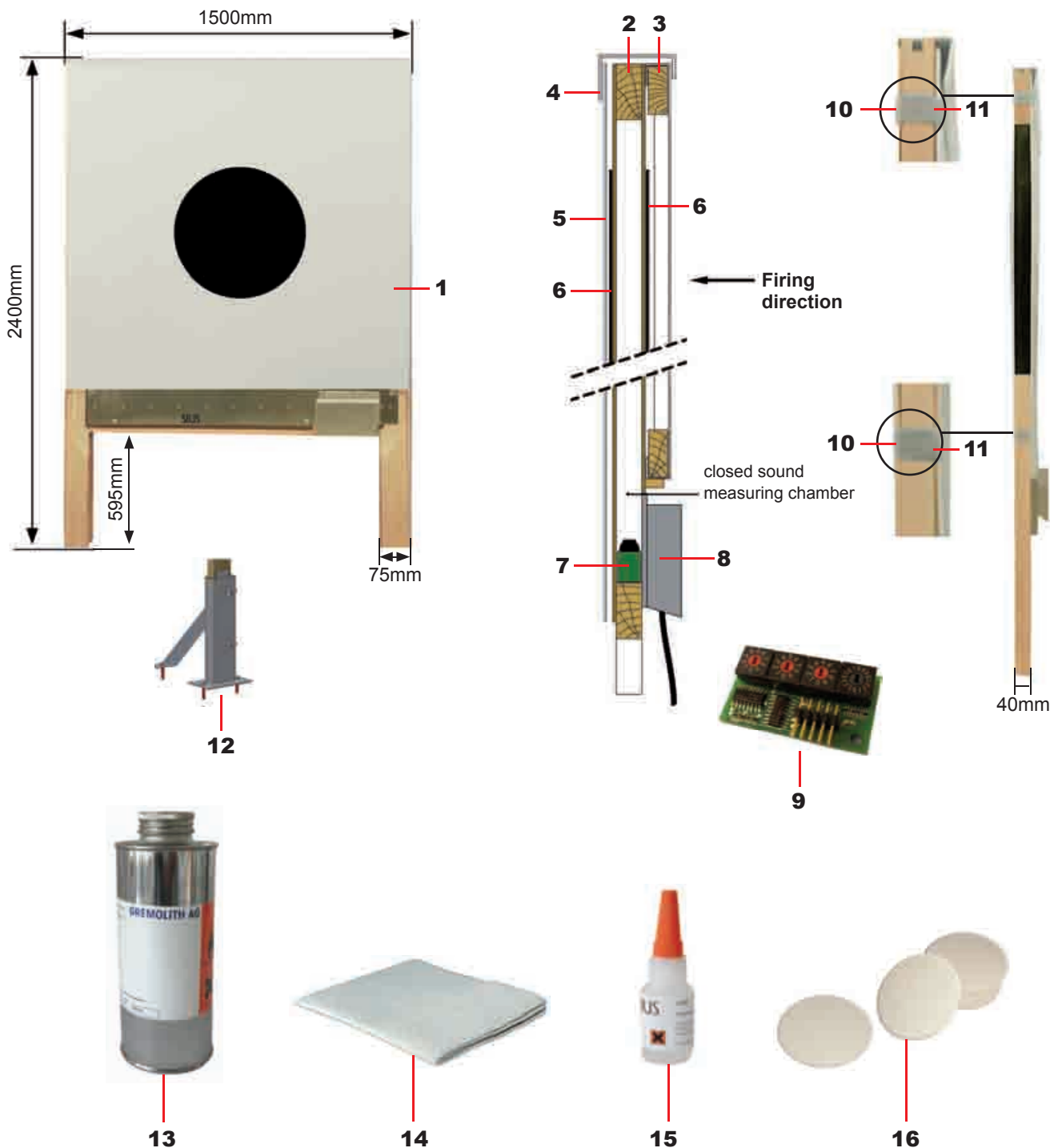
Pos.	Article no.	Pcs.	Description
A Article group target line			
A1	S310-LON	1	Main target S310 with LON measurement bar
A2	S150A	1	A front frame S310 with bulls eye Ø 60cm
A3	LMEB001V3	1	Print LON measurement electronics for S310
A4	VK-LTW2	1	Distribution box with lightning protection, 2x LTW-Kabel
	VK-LTW2V2	1	Distribution box without lightning protection, 2x LTW-Kabel
A5	NT211	1	Power supply for 10 lines 225W with LTW 230V
A6	KL013	1	Y cable for NT211
A7	KV021-330	1	Cable firing point – target 330m (for 300m installation)
A8	KL001-T	1	T-Adapter fem/fem/male LTW IP67
A9	KL001-2.0	1	Cable LTW male–female 2.0m
A10	KL001-R	1	Terminating resistor, red, male LTW IP67
B Article group firing point			
B1	M95V0	1	Control/display unit 10", size (WxHxD): 26,8x23,4 x 18,2cm (ohne Stativ), Gewicht: 4kg
B2	RC211V1	1	Remote control, size (WxHxD): 118x76x25mm, weight: 350g
B3	AAG133-80SX-USB	1	Barcode scanner USB, incl. holder and USB cable, size (WxHxD): 90x170x80mm, weight: 245g
B4	D112-USB-N	1	Thermal printer 110/220V, incl. power supply and USB cable, size (BxHxT): 150x65x130mm, weight: 1 kg
B5	C88RV2	1	Shot sensor for big bore rifles (option) > page 8
B6	UEM88	1	Crosstalk separator 110x90x4cm (option); all variants > page 9
	UEBH88	1	Small ground plate for crosstalk separators (option); all variants > page 9
B7	VK-LTW2	1	Distribution box with lightning protection, 2x LTW-Kabel
	VK-LTW2V2	1	Distribution box without lightning protection, 2x LTW-Kabel
B8	KL001-T	1	T-Adapter fem/fem/male LTW IP67
B9	KL001-2.0	1	Cable LTW male–female 2.0m
B10	NT211	1	Power supply for 10 lines 225W with LTW 230V
B11	KL013	1	Y cable for NT211
B12	KL001-R	1	Terminating resistor, red, male LTW IP67
	Reference		Country-specific power supply cable > AA1**

Target 300m for big bore rifle S310

The target S310 is designed for distances of 300 to 600m for big bore rifles. The measurement system for this target is fixed at the bottom in the protected region. This ensures a high degree of operating safety and prolongs the life of the system.

CAUTION

The LON measurement electronics and the front frame must be ordered separately.



Pos.	Article no.	Description
Target S310		
1	S310-LONM0	Main target S310, longitudinal leg with LON measurement bar, without print LON measurement electronics and front frame Size (BxHxT): 1500x2400x115mm, weight: 41 kg, Consumption: 7.6 W, detection surface: 1330x1500mm.
Accessory and spare parts		
2	S310D001	Main target S310 without LON measurement bar, without print LON measurement electronics and front frame
3	Reference	Various front frames and target front masks (see page 8–9)
4	S150HA006	Rubber profile rain protection
5	S150AA033	Backing target
6	S150HA008	Endless rubber strip The endless rubber band is pulled up if required, e.g. when the centre is shot out in a way that the target covering can no longer form a closed chamber.
	AMW017	Mounting aid for endless rubber band, beech stick, all edges rounded (2 pieces needed)
7	MS150-LON-V1	LON measurement bar 1,33m
8	LMEB001V3	Print LON measurement electronics for S310 (see below)
9	LNRB001	Print Lane Number Assignment
10	AMA021/10	Velcro strip – loops, 30x90mm, main frame
11	AMA023/16	Velcro strip – hooks, 30x160mm, front frame
12	SHS11	Target holder (feet), galvanised steel, with strut, set with 2 pieces, incl. screws and dowels
Repair material for target covering Larger holes in the target covering arise from ricochets for example. They can cause incorrect measurements and must therefore be closed up. Repair material is available for this purpose.		
13	URE200ACT	Acetone 200 ml
14	URE-ELIX-CLEAN	Cleaning cloth
15	UK20CA15G	Special glue CA15G 20g
16	USX10QF	Ricochet repair patch (set of 10)

LON measurement electronics for S310

The LON measurement electronics evaluates the signals transmitted by the microphone and sends the information over the LON network to the control unit CU941. The measurement electronics are inserted in the lower area of the target.



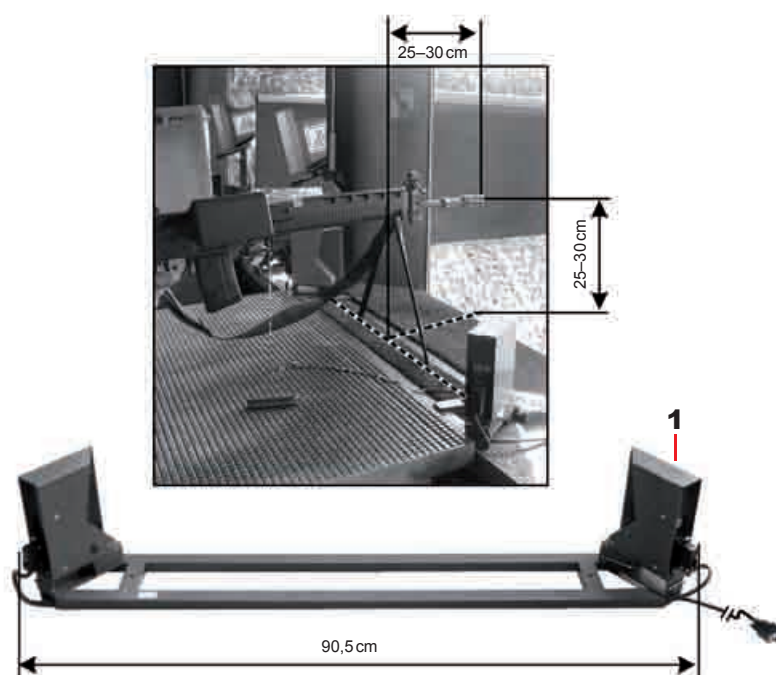
Pos.	Article no.	Description
LON measurement electronics for S310		
8	LMEB001V3	Print LON measurement electronics S310 for big bore rifles (ISSF)

Shot sensor for big bore rifles

The shot sensor differentiates the shots of the shooter's lane from shots from other lanes (cross shots, target errors). The corresponding display is shown on the monitor.

The shot sensor can only be used for big bore rifles with muzzle flash. It is plugged directly into the control/display unit M95.

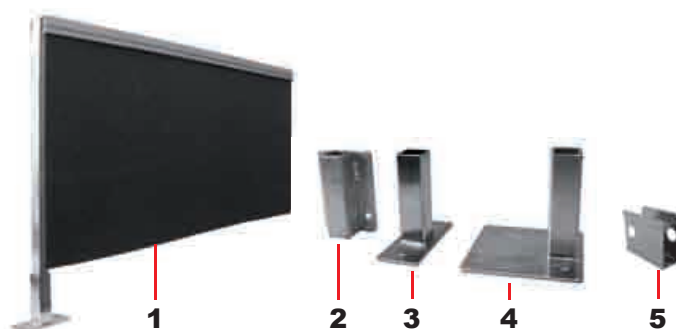
The **distance between weapon muzzle and sensors is especially important** to ensure the best performance of the shot sensor. Sensors should not be exposed to direct or intense sunlight.



Pos.	Article no.	Description
Shot sensor for big bore rifles		
1	C88RV2	Shot sensor, cable on right side Size (WxHxD): 905x190x150mm, weight1: 3.2 kg

Crosstalk separators for the shot sensor

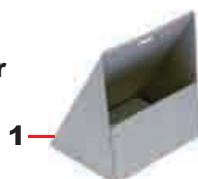
We recommend the installation of crosstalk separators between the individual lanes for firing points equipped with shot sensors. These prevent the acoustic and optical triggering of shots onto neighbouring lanes. Three different sizes of crosstalk separators are available. The big **ground plate** (Pos. 4) should be used for fixing the large separator (Pos. 1.3). For the other separators all plates can be used.



Pos.	Article no.	Description
Crosstalk separators for the shot sensor		
1.1	UES88	Crosstalk separator Size (WxHxD): 77x50x2cm, weight: 1.55 kg
1.2	UES88V1	Crosstalk separator Size (WxHxD): 85x50x2cm, weight: 1.7 kg
2	UEWH88	Wallmounting plate for crosstalk separator
3	UEBH88	Small ground plate for crosstalk separator
4	UEHH88A001	Big ground plate for crosstalk separators
5	UES88A007	Connection bracket for crosstalk panels



Brass catcher

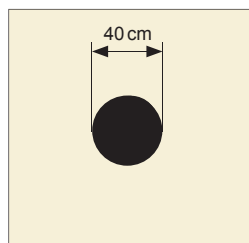


Pos.	Article no.	Description
Brass catcher		
1	AAG279	Brass catcher, made of cardboard Size (WxHxD): 230x330x300mm

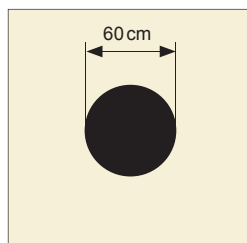
Front frame with circular target pictures (A targets)

For circular target pictures (A targets), front frames are used which are covered with a target skin (top skin). These front frames are mounted on the main target with velcro fastener.

1 Front frame
bulls eye Ø 40cm



2 Front frame
bulls eye Ø 60cm

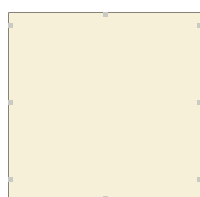


Pos.	Article no.	Description
Front frames with circular target pictures		
1	S150A/40	Front frame S150, bulls eye Ø 40cm
2	S150A	Front frame S150, bulls eye Ø 60cm

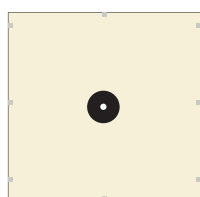
Target front masks with hunting pictures

To mount the target front masks with DJV hunting pictures, the basic multi wall panel for hunting pictures S110AA023 must be used. It will be mounted on the corresponding adaptor plate with velcro fasteners.

3 Basic multi wall panel
for hunting pictures



4 Calibrating target
for telescopic sight



4.1 Center patch calibrating target for telescopic sight



Even the single center patch for the calibration of telescopic sights is available. It can be glued on the basic multi wall panel according to manual «B073 S310_Jagdbilder_Montage_de/en».

Pos.	Article no.	Description
Basic multi wall panel for hunting pictures and telescopic sight		
3	S110AA023	Basic multi wall panel for hunting pictures, 117x113,5cm
4	S110AA024	Calibrating target for telescoping sights, 117x113,5cm
4.1	S150JVZA001	Center patch calibr.target Ø 20cm on top foil, 30x30cm

5 Adaptor plate «A»



6 Adaptor plate «B»



The hunting pictures chamois, roebuck, fox and wild boar (3 versions) must be ordered directly from:
German Hunting Federation DJV or Kuert Druck AG.
The adhesive hunting pictures can be mounted on the basic multi wall panel according to manual «B073 S310_Jagdbilder_Montage_de/en».

Chamois DJV4



Roebuck DJV1



Fox DJV3



Wild boar DJV2



Wild boar DJV5



Wild boar DJV7



Ordering hunting pictures:

- German Hunting Federation DJV
> www.jagdverband.de
- Kuert Druck AG
> www.kuert.ch (only within Switzerland)

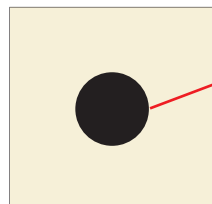
Pos.	Article no.	Description
Adaptor plates S310		
5	S150AA034	Adaptor plate S310 «A» for hunting pictures
6	S150BA003	Adaptor plate S310 «B» for hunting pictures with front frame

Consumable and replacement supplies for target front masks

The circular center patches Ø 20 cm, 24 cm, 40 cm and 60 cm are used for repairing target centers of the A targets and the black hunting target pictures without ring division (elk DV-21, reindeer DV-1).

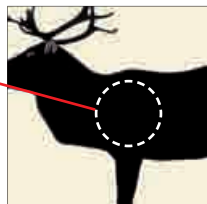
Examples of use:

Circular target pictures



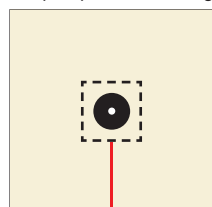
Center patch
9 = Ø 20 cm
10 = Ø 40 cm
11 = Ø 60 cm

Reindeer DV-1, Norway



Calibrating patches on top skin 30x30cm are available to repair strongly worn-out calibrating targets.

Adaptor plate for hunting pictures



12 Calibrating patch
for telescopic sight



13 Top skin glue
1000g

Pos.	Article no.	Description
Consumable and replacement supplies for target front masks		
9	S150AA015	Center patch, PVC, Ø 20 cm
10	S150AA008	Center patch, PVC, Ø 40 cm
11	S150AA009	Center patch, PVC, Ø 60 cm
12	S150JVZA001	Calibrating patch, PVC, Ø 20 cm, on top skin 30x30cm
13	UK1PVC	Top skin glue 1 kg



Information och förfrågningar

Phone +46 (0)21-600 13

www.sius.se | info@sius.se

